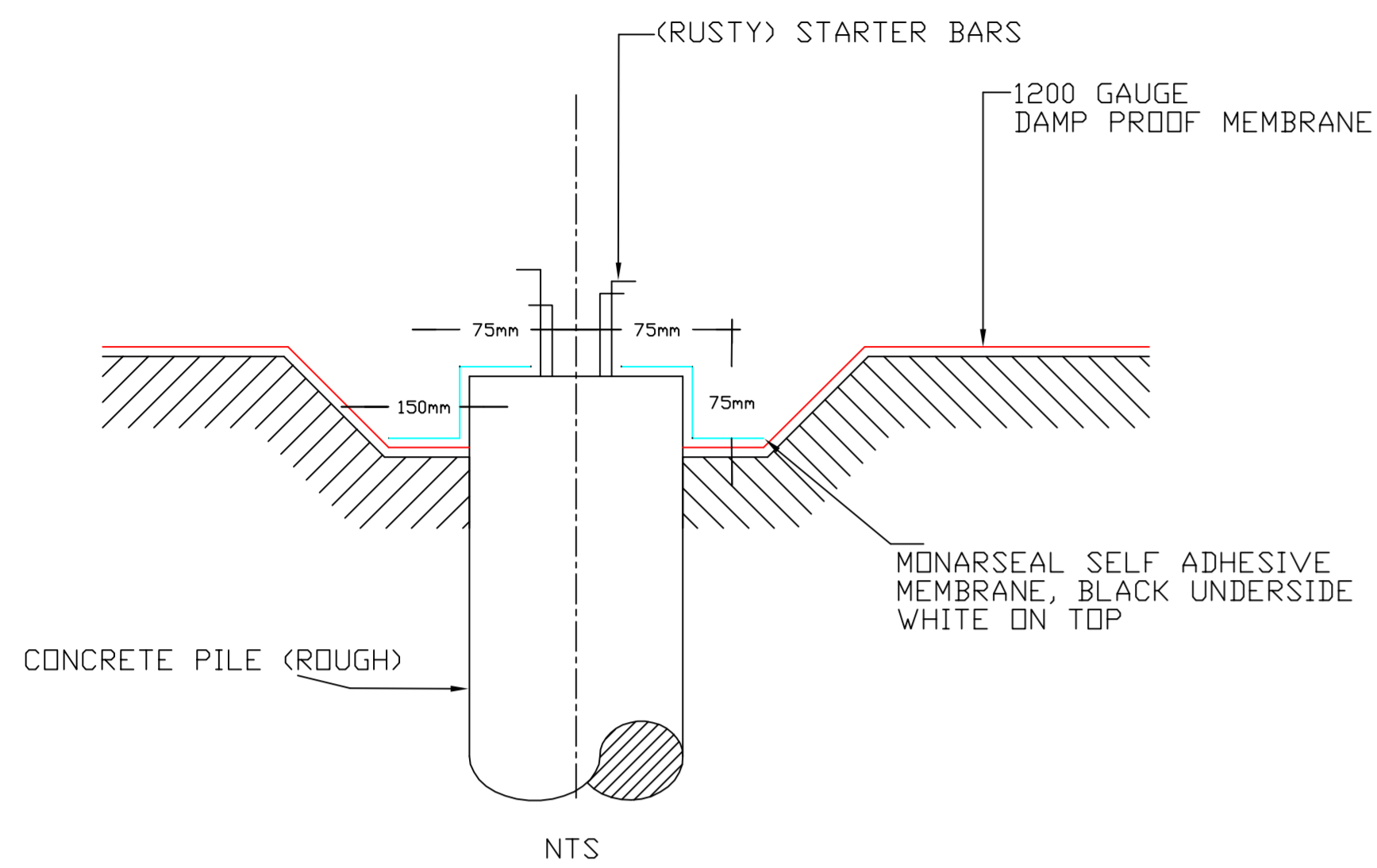
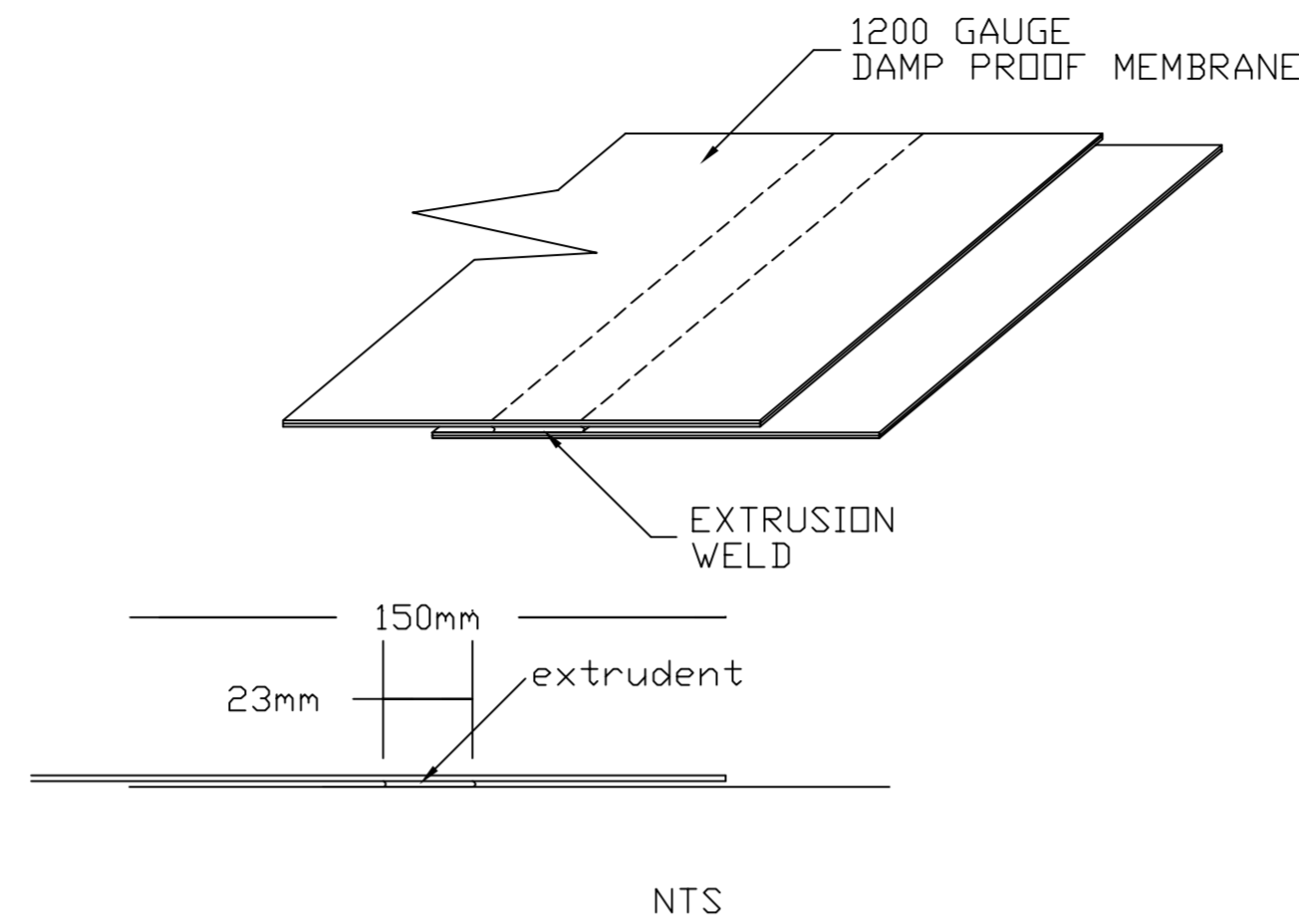


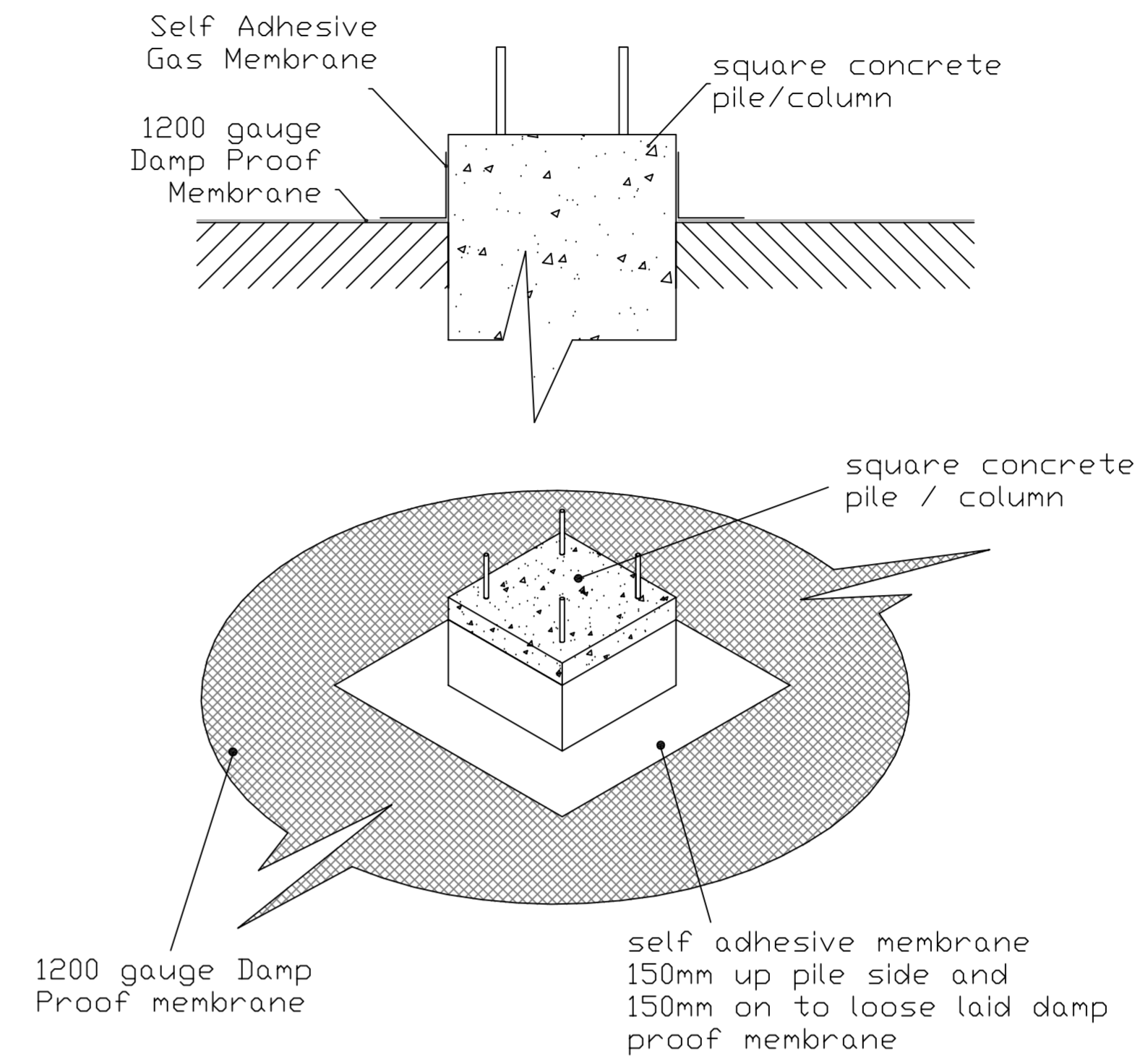
TYPICAL PILE TOP DETAIL



OVERLAP DETAIL

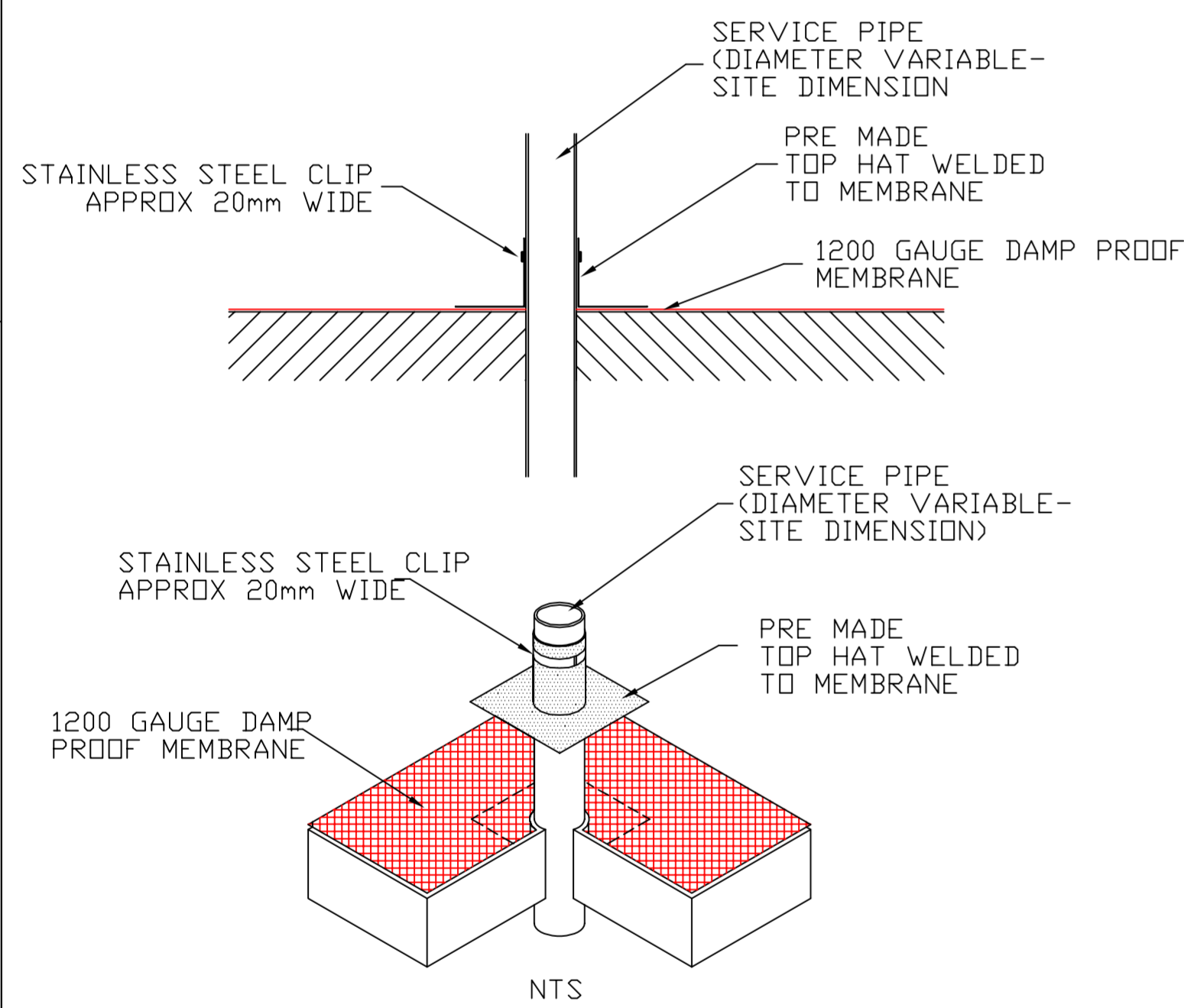


METHOD FOR SEALING TO PILE TOPS/COLUMNS

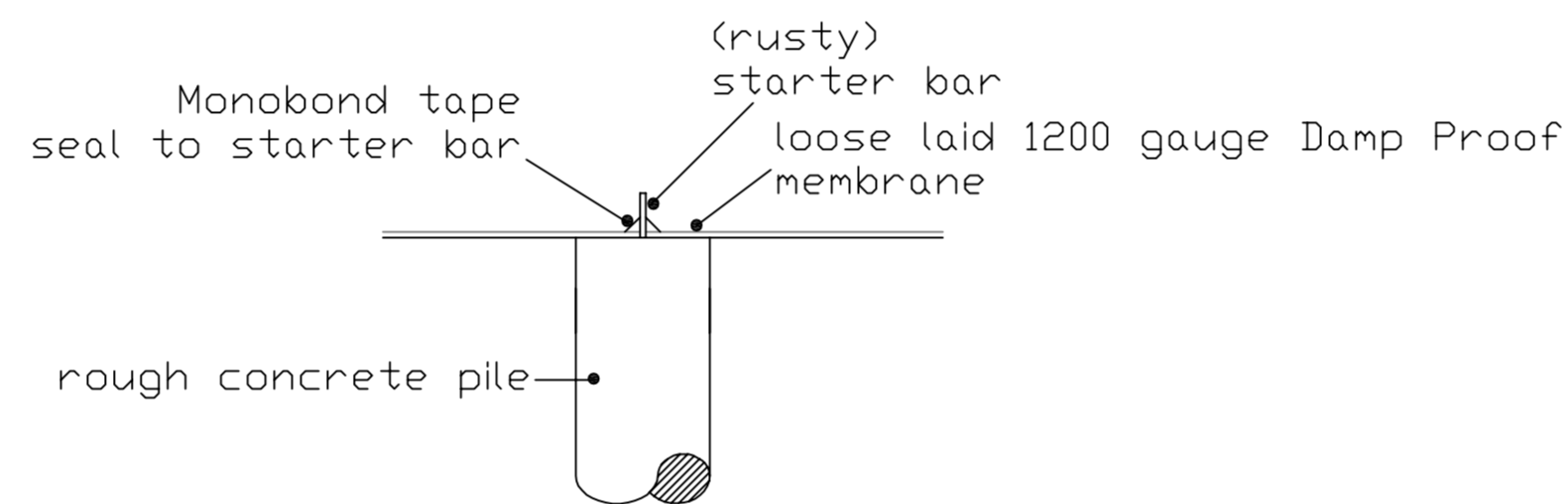


- GENERAL NOTES
1. ALL EXTERNAL AND INTERNAL COLUMNS TO BE SEALED IN ACCORDANCE WITH TYPICAL COLUMN DETAIL.
 2. MANHOLE AND GULLYS TO BE SEALED IN ACCORDANCE WITH TYPICAL MANHOLE/GULLY DETAIL.
 3. PIPE PENETRATIONS TO BE SEALED IN ACCORDANCE WITH TYPICAL PIPE PENETRATION DETAIL.
 4. MINIMUM 70mm DISTANCE BETWEEN PIPE PENETRATIONS TO ALLOW FOR SEAL TO BE MADE
 5. ALL IRREGULAR OR ANGLED PIPES TO BE SEALED USING MONARSEAL SELF ADHESIVE GAS MEMBRANE ALLOWING 150mm LAP INTO MEMBRANE AND PIPE
 6. 1200 GAUGE DAMP PROOF MEMBRANE TO BE LAPPED AND EXTRUSION WELDED WITH MINIMUM 100mm OVERLAP

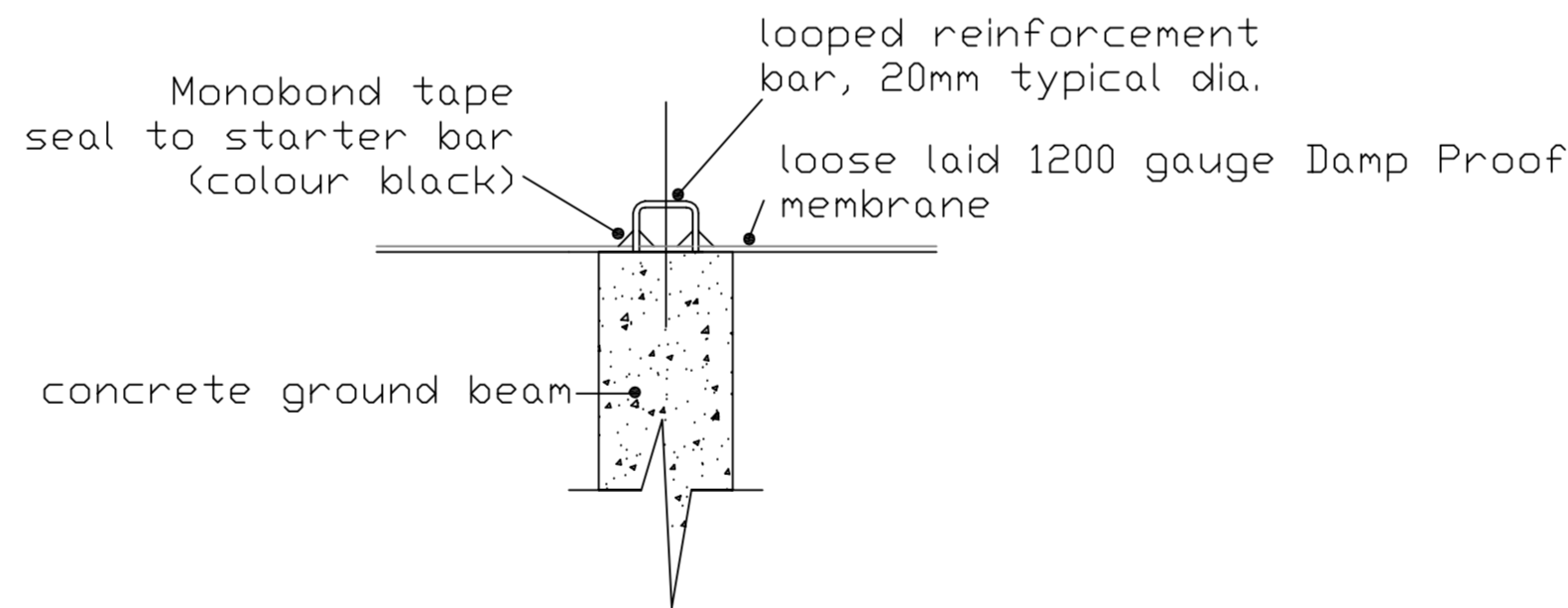
STANDARD TOP HAT TO SERVICE PIPE DETAIL



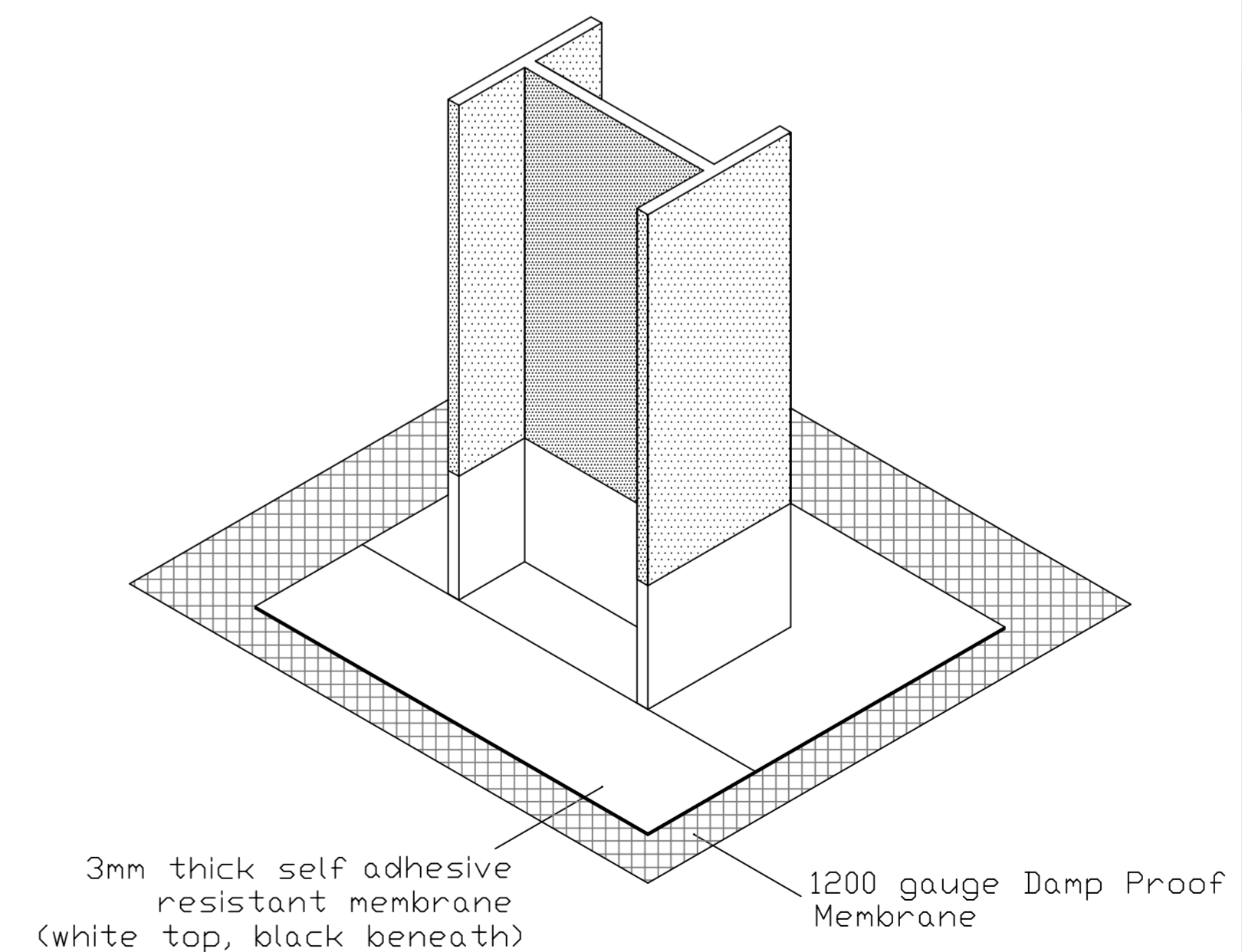
TYPICAL STARTER BAR DETAIL



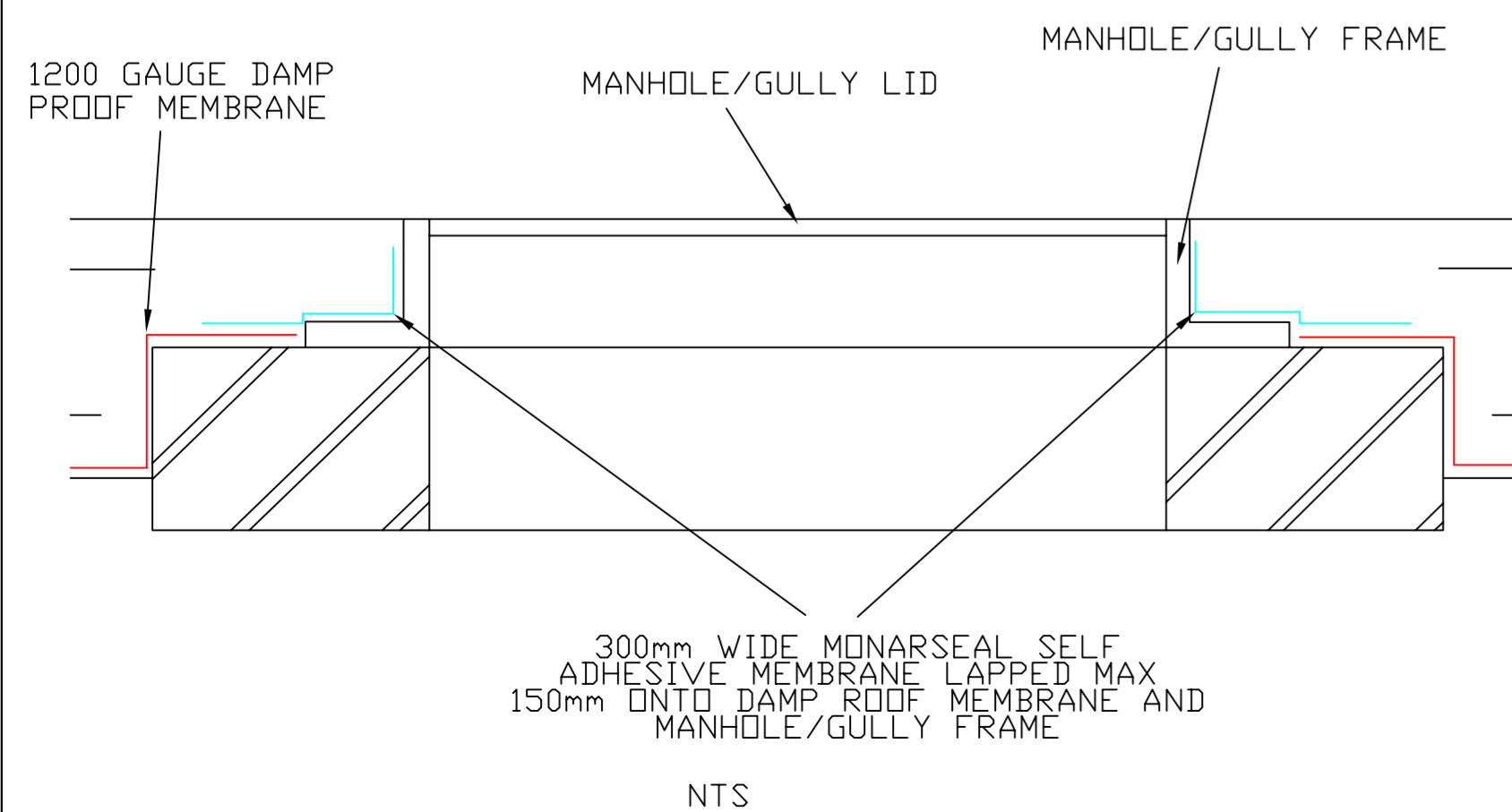
TYPICAL PILE STARTER BAR DETAIL



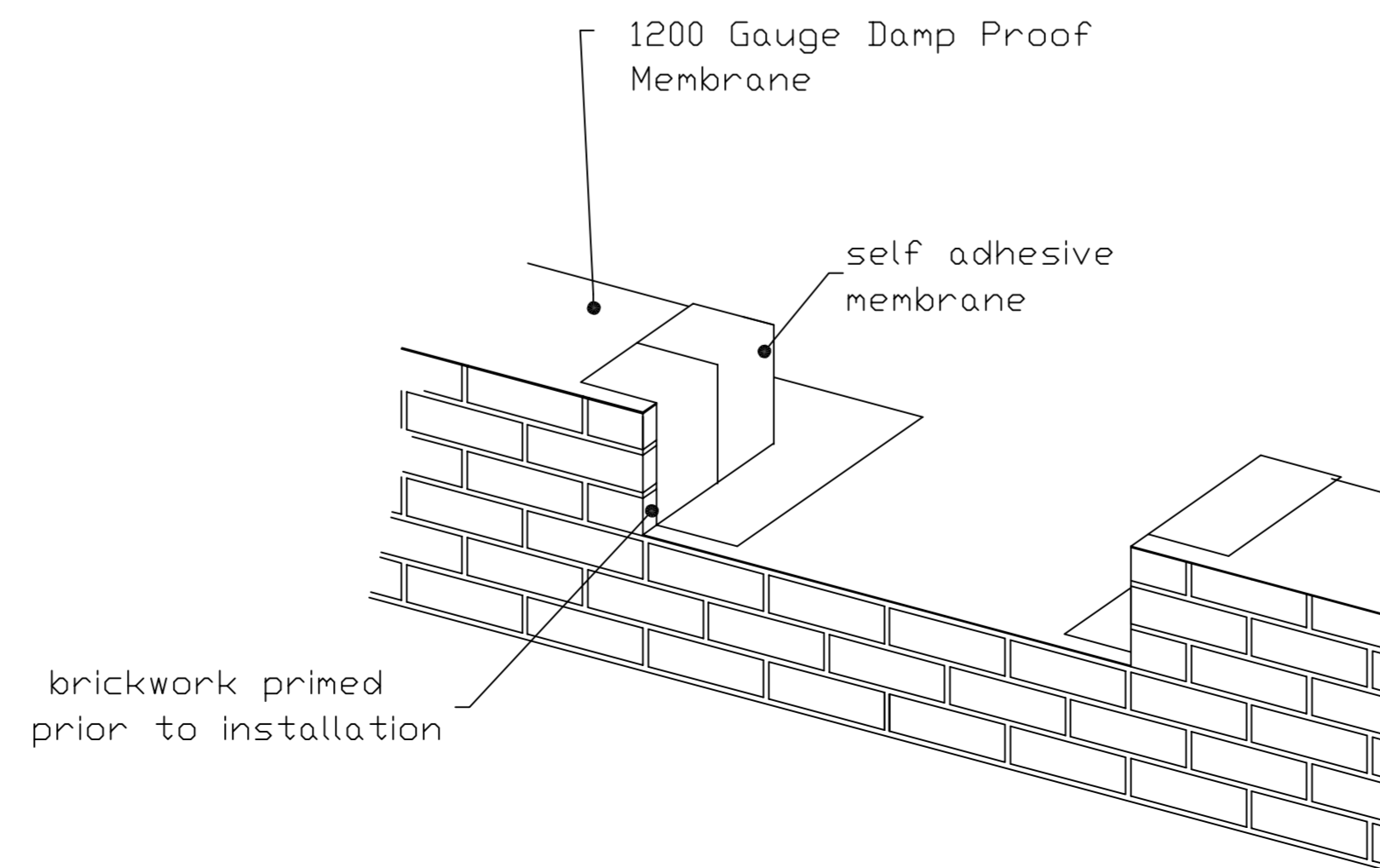
TYPICAL STANCHION DETAIL



TYPICAL MANHOLE AND GULLY SEALING DETAIL



MEMBRANE DETAIL AT DOORWAY



LEGEND TO SYMBOLS

Rev	Drawn	Date	Apprv.	Date	Modification Details
x	x	x	x	x	x

AMENDMENTS

Title
1200 GAUGE DAMP PROOF MEMBRANE STANDARD DETAILS

Project

Client

ico **pal** MONARFLEX GEOMEMBRANES LTD

Date APR 2010	Drawn By NC	Apprv. By
Sheet Size A1	Scale AS SHOWN	Project No
Drawing No 1000/100	Rev 0	

\$FILES\$
\$TIMES\$
\$DATES\$