

Monarflex Easi-Sump[®] System

Radon Sump and Cap-Link[™]

Data Sheets

IDENTIFICATION

The Monarflex Easi-Sump system is installed at the construction stage and comprises a sub-floor Easi-Sump and an externally located Easi-Sump Caplink. When assembled, these enable subfloor depressurisation (or pressurisation) to be introduced both economically and efficiently, if required at a later date.

CERTIFICATION

The Monarflex Easi-Sump has been site and laboratory tested by the Irish Agrément Board and awarded IAB certification.



Certificate No: 01/0130

DESCRIPTION

The Monarflex Easi-Sump is manufactured by a rotational molding process from medium density polyethylene. The Easi-Sump Cap-Link is manufactured by an injection moulding process from unplasticized polyvinyl chloride (PVC-U).

PERFORMANCE AND PROPERTIES

Easi-Sump	Result
Approx Size/mm (l x w x h):	460 x 460 x 150
Colour:	Black
Mean Wall Thickness:	4.9mm
Weight:	1.86kg
Mean Deflection (at 0.48kNm⁻²):	6.96mm

Easi-Sump Cap-Link	Result
ESCL01 Approx Size/mm (l x w x h):	165 x 145 x 150
ESCL02 Approx Size/mm (l x w x h):	165 x 145 x 200
Colour:	Black
Weight ESCL01:	0.61kg
Weight ESCL02:	0.92kg

DURABILITY

The Monarflex Easi-Sump is manufactured to last the lifetime of the building provided it is correctly installed and not damaged by subsequent building operations.

COMPATIBILITY

Monarflex Easi-Sump is fully compatible with the range of Icopal damp-proof courses and membranes.

Icopal Limited

Barton Dock Road
Stretford
Manchester
M32 0YL

Telephone 0161 865 4444
Fax 0161 864 2616
www.icopal.co.uk

QUALITY ASSURANCE

Monarflex Easi-Sump is manufactured under a Quality Management System approved to ISO 9001: 2000 by BSI Quality Assurance.



Certificate No: Q5556

INSTALLATION DETAILS

Monarflex Radon sumps are designed to be set within a gas permeable layer beneath the Radon barrier. One sump is sufficient to draw gas from approximately 250m². To make activation easier the pipework from the sump can be terminated at ground level with a Monarflex Easi-Sump[®] Cap-Link[™].

Ground-bearing Slab

- Prepare a suitably sized hole in the hardcore and set the sump onto a firm level base. Backfill the hardcore around the sump.
- Connect the outlet pipe (110mm diameter) to the sump and seal where it penetrates the external wall.
- Blind the hardcore and install the Radon membrane as appropriate.
- Complete the installation of the Easi-Sump Cap Link. All pipe connections should be air-tight to maintain maximum efficiency of the pipe system.
- If post completion tests show Radon concentrations are above the action level; connect the venting pipework to the sump). If activating a full protection system, remove the cap plate and insert the venting pipe firmly into the Easi-Sump[®] Cap-Link[™].

CI/SfB	Dec 2005
(13.9)	n6 L2

Data Sheet No: ICO0959

Monarflex Easi-Sump[®] System

Radon Sump and Cap-Link[™]

Data Sheets

TYPICAL SPECIFICATION

Sub-floor Radon sump to be Monarflex Easi-Sump, as manufactured by Icopal Ltd, Barton Dock Road, Stretford, Manchester, M32 0YL. The Radon sump to be installed in accordance with the manufacturer's instructions.

NBS SPECIFICATION

Monarflex Easi-Sump is specified using the following clause: P30/525,
 Product: Monarflex Easi-Sump Radon sump.
 Manufacturer: Icopal Ltd. Barton Dock Road, Stretford, Manchester, M32 0YL. Tel: 0161 865 4444
 Fax: 0161 865 8433.

DELIVERY AND STORAGE

The Monarflex Easi-Sump and the Cap Link are delivered to site in boxes. The boxes are labelled with the product name; supplier's name, address and contact information; together with the IAB Certification number, recycle logo, material code and production batch code.

An installation leaflet is supplied with the product.

The Easi-Sump and Cap Link should be stored in clean, dry conditions, and within an ambient temperature range of -10°C to +35°C. They should also be protected from extended exposure to ultraviolet light, i.e. sunlight.

HEALTH AND SAFETY

Health and safety data sheets are available for all materials. Please contact Icopal Technical Services Department for further information.

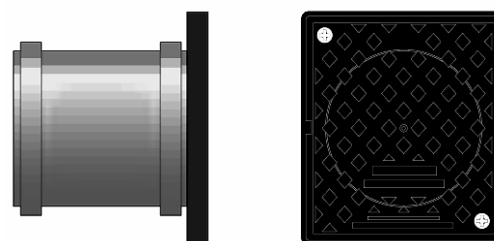
TECHNICAL SERVICES

Specialist advice and design guidance on all matters relating to Easi-Sump, including CAD detailing for all damp-proofing and Radon protection requirements, is freely available from our Technical Department at the address below.

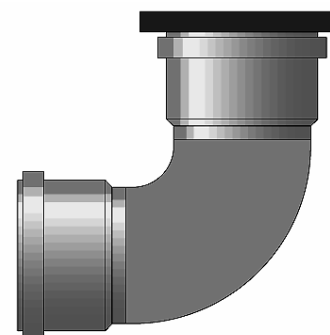
PRODUCT ELEMENTS



Monarflex Easi-Sump Radon sump



Monarflex Easi-Sump Caplink ESC001



Monarflex Easi-Sump Caplink ESC002

NOTE: This information is given in good faith being based on the latest knowledge available to Icopal Limited. Whilst every effort has been made to ensure that the contents of the publication are current while going to press, customers are advised that products, techniques and codes of practice are under constant review and liable to change without notice. Up to date information is available from the Technical Department on request.

Responsibility cannot be accepted for the application of products, and no claims can be considered, where the manufacturer's instructions have not been followed. The user should not assume, based on any information provided in this sheet, that the product is suitable for any abnormal use.

All products are sold subject to our standard conditions of sale, available on request.

Icopal Limited

Barton Dock Road
 Stretford
 Manchester
 M32 0YL

Telephone 0161 865 4444
 Fax 0161 864 2616
 www.icopal.co.uk

**WORLD LEADER
 IN
 WATERPROOFING**